

MODEL	POWER		VOLTAGE	FREQUENCY	POWER FACTOR	CURRENT
	PRIME	STAND BY				
MP-620ES	562 Kw / 703 KVA	620 Kw / 775 KVA	208V	60Hz	0.8	2151 A



SILENT GENERATOR SET



OPEN GENERATOR SET

* Note: All pictures shown are for illustration purpose only. Actual product may vary due to product enhancement.

Specifications

Generator Set

Model	MP-620E
Engine	PERKINS 2806C-E18TAG3 EPA Tier 3
Alternator	STAMFORD HCI 534F
Control Panel	Electronic
Phases	Three-phase
Fuel Tank	Open: 257 Gallons / Silent: 329 Gallons
Electric System	24V.
Frequency	60Hz 50Hz
Cooling Fan Air flow	852 m3/min 702 m3/min
Combustion Air flow) & "\$ m3/min (\$.0 m3/min
Exhaust Gas flow	%(%"\$ m3/min 11(.0 m3/min
Exhaust Gas temperature)) (°C 56+ °C

Silent Genset	Maximum	Ambient
Noise Level @ 7m	67 +/- 2 dBA	54 dBA

Engine

Number of Cylinders	6 in-line
Governor Type	Electronic
Cycle	4-Stroke
Aspiration	Turbocharger chargecooled
Fuel	Diesel
Combustion System	Direct injection
Cooling Method	Water Cooled
Bore	145.0 mm
Stroke	183.0 mm
Displacement	1810cc
Compression Ratio	14.5:1
Lubrication Sys. Capacity	62 liters
Cooling Sys. Capacity	61 liters

Fuel Consumption

Engine Speed	1800 RPM	1500 RPM
	l/hr	l/hr
Stand-by Power (2)	158.0	134.0
Prime Power (1)	145.0	129.0
75% Prime Power (1)	112.0	96.0
50% Prime Power (1)	79.0	67.0

Alternator

Insulation System	Class "H"
Exciter Type	Self exciter
Voltage Regulation Card	AS440 ± 1.0%
Protection Class	IP 23

Technical Standards

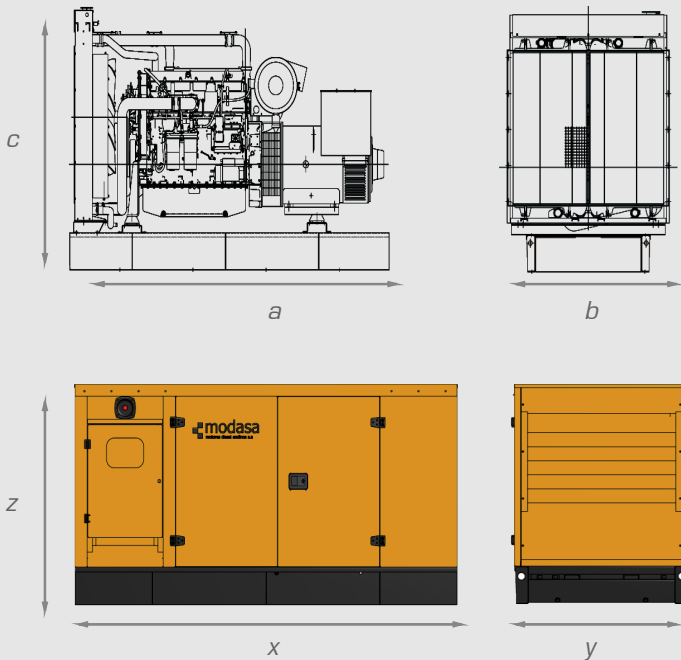
Engine :	ISO 3046, BS 5514, DIN 6271
Alternator :	IEC EN 60034, BS 5000, IEC 34 VDE 0530, NEMA MG1-32 CSAC22, 2-100, ASI 1359
Generator Set :	ISO 8528, ISO 9001:2015

(1) Prime Power: Available power under variable load for unlimited hours per year (ISO8528-1). Allows 10% power surge for one hour, every 12 hours.

(2) Standby Power: Available power under variable load, whenever the commercial network breaks down. Does not accept surges (ISO8528-3); it has 500 hours usage limit per year or 300 continuous hours instead.

Dimensions

Dimensions and Weights	a	b	c	Weight	Exh. Ø
	3500 mm	1540 mm	2221 mm	4800 kg	8"
Dimensions and Weights	x	y	z	Weight	Exh. Ø
	4810 mm	1819 mm	2701 mm	7040 kg	10"



Optional Enhancements

- Residential muffler. (included in Silent Genset)
- Monoblock water heater.
- Alternator dehumidifying resistance.
- Electronic governance.
- Automatic transfer board.
- Variety of voltages.
- Remote speed/voltage potentiometer.
- PMG
- Fuel level electric meter.

Control Panel



Outfitted with the most recent age electronic digital control panel, it allows starting, controlling, protecting and stopping the generator set in manual and automatic modes. Performs automatic transfer.

Measurements shown with alpha-numeric characters on the digital display:

- Current of the three phases L1, L2, L3
- Energy demand KWh, KVAh, KVArh.
- Active energy KVAh.
- Power factor.
- Frequency.
- Working time.
- Memory of the last 250 events, description, date and time.
- Active Power KW.
- Reactive Power KVA.
- Oil pressure.
- Sequence of generator phases.
- Oil temperature.
- Air intake temperature.
- Fuel temperature.
- Exhaust gas temperature.
- Cooling temperature.
- Rotation speed.
- Battery voltage.
- Voltage of the three phases L - L and L - N.

Protection:

- Activated maintenance alarm set.
- High temperature of the motor.
- Low/High frequency
- Low oil pressure.
- Low/High battery voltage.
- Low/High generator voltage.
- CAN diagnosis.
- Starter failure.
- Stop failure.
- Negative phase sequence failure.
- Over current failure.
- Overload fault.
- Emergency stop.
- Loss of speed signal due to pickup disconnection.

M: Modasa / P: PERKINS Engine / 620: Genset Power Reference / Q: 50 Hz 1500 RPM / I: Silent / M: Single-phase / E: EPA Tier

MODEL	POWER		VOLTAGE	FREQUENCY	POWER FACTOR	CURRENT
	PRIME	STAND BY				
MP-620E	564 Kw / 705 KVA	621 Kw / 776 KVA	440V	60Hz	0.8	1019 A
MP-620E	563 Kw / 704 KVA	620 Kw / 775 KVA	480V	60Hz	0.8	932 A



SILENT GENERATOR SET



OPEN GENERATOR SET

* Note: All pictures shown are for illustration purpose only. Actual product may vary due to product enhancement.

Specifications

Generator Set

Model	MP-620E
Engine	PERKINS 2806C-E18TAG3 EPA Tier 3
Alternator	STAMFORD HCI 534F
Control Panel	Electronic
Phases	Three-phase
Fuel Tank	Open: 257 Gallons / Silent: 329 Gallons
Electric System	24V.
Frequency	60Hz 50Hz
Cooling Fan Air flow	852 m3/min 702 m3/min
Combustion Air flow) & "\$ m3/min (\$.0 m3/min
Exhaust Gas flow	%(%"\$ m3/min 11(.0 m3/min
Exhaust Gas temperature)) (°C 56+ °C

Silent Genset	Maximum	Ambient
Noise Level @ 7m	67 +/- 2 dBA	54 dBA

Engine

Number of Cylinders	6 in-line
Governor Type	Electronic
Cycle	4-Stroke
Aspiration	Turbocharger chargecooled
Fuel	Diesel
Combustion System	Direct injection
Cooling Method	Water Cooled
Bore	145.0 mm
Stroke	183.0 mm
Displacement	1810cc
Compression Ratio	14.5:1
Lubrication Sys. Capacity	62 liters
Cooling Sys. Capacity	61 liters

Fuel Consumption

Engine Speed	1800 RPM	1500 RPM
	l/hr	l/hr
Stand-by Power (2)	%, "\$ 134.0	
Prime Power (1)	%() "\$ 12-.0	
75% Prime Power (1)	%%&"\$ 96.0	
50% Prime Power (1)	+ - "\$ 6+.0	

Alternator

Insulation System	Class "H"
Exciter Type	Self exciter
Voltage Regulation Card	AS440 ± 1.0%
Protection Class	IP 23

Technical Standards

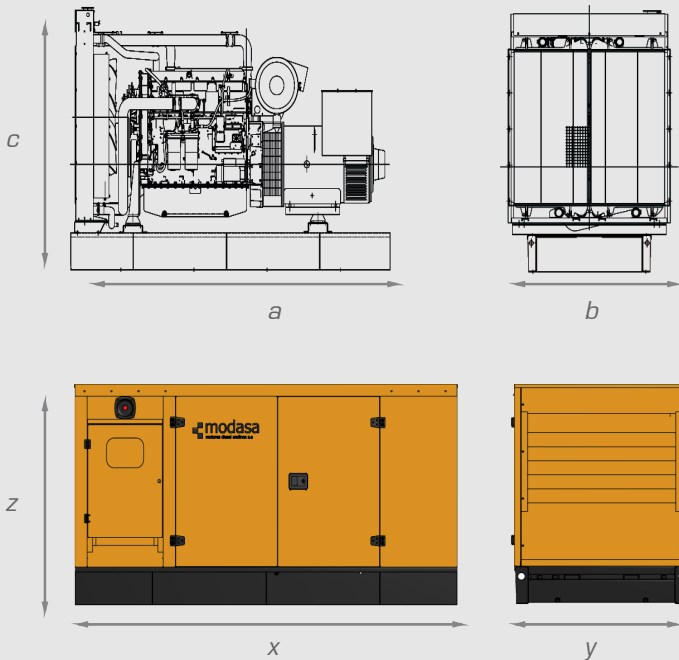
Engine :	ISO 3046, BS 5514, DIN 6271
Alternator :	IEC EN 60034, BS 5000, IEC 34 VDE 0530, NEMA MG1-32 CSAC22, 2-100, ASI 1359
Generator Set :	ISO 8528, ISO 9001:2015

(1) Prime Power: Available power under variable load for unlimited hours per year (ISO8528-1). Allows 10% power surge for one hour, every 12 hours.

(2) Standby Power: Available power under variable load, whenever the commercial network breaks down. Does not accept surges (ISO8528-3); it has 500 hours usage limit per year or 300 continuous hours instead.

Dimensions

Dimensions and Weights	a	b	c	Weight	Exh. Ø
	3500 mm	1540 mm	2221 mm	4800 kg	8"
Dimensions and Weights	x	y	z	Weight	Exh. Ø
	4810 mm	1819 mm	2701 mm	7040 kg	10"



Optional Enhancements

- Residential muffler. (included in Silent Genset)
- Monoblock water heater.
- Alternator dehumidifying resistance.
- Electronic governance.
- Automatic transfer board.
- Variety of voltages.
- Remote speed/voltage potentiometer.
- PMG
- Fuel level electric meter.

Control Panel



Outfitted with the most recent age electronic digital control panel, it allows starting, controlling, protecting and stopping the generator set in manual and automatic modes. Performs automatic transfer.

Measurements shown with alpha-numeric characters on the digital display:

- Current of the three phases L1, L2, L3
- Energy demand KWh, KVAh, KVArh.
- Active energy KVAh.
- Power factor.
- Frequency.
- Working time.
- Memory of the last 250 events, description, date and time.
- Active Power KW.
- Reactive Power KVA.
- Oil pressure.
- Sequence of generator phases.
- Oil temperature.
- Air intake temperature.
- Fuel temperature.
- Exhaust gas temperature.
- Cooling temperature.
- Rotation speed.
- Battery voltage.
- Voltage of the three phases L - L and L - N.

Protection:

- Activated maintenance alarm set.
- High temperature of the motor.
- Low/High frequency
- Low oil pressure.
- Low/High battery voltage.
- Low/High generator voltage.
- CAN diagnosis.
- Starter failure.
- Stop failure.
- Negative phase sequence failure.
- Over current failure.
- Overload fault.
- Emergency stop.
- Loss of speed signal due to pickup disconnection.

M: Modasa / P: PERKINS Engine / 620: Genset Power Reference / Q: 50 Hz 1500 RPM / I: Silent / M: Single-phase / E: EPA Tier